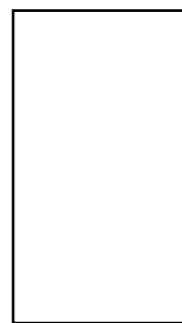
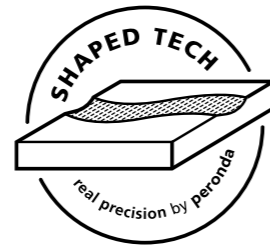


Alpine 4D

porcelain



White | Beige | Grey | Anthracite

100 * 180 * 0,8 cm | 39 * 71"

100 * 100 * 0,8 cm | 39 * 39"



PORCELAIN White | Beige | Grey | Anthracite
WHITE BODY White | Beige | Grey



Alpine 4D
Beige

SP/100X180/R



Alpine wall
Beige waves

32X90/R

Alpine 4D

Porcelain tiles



Alpine 4D
Beige

SP/100X180/R



Alpine Wall
Beige waves

32X90/R

Alpine 4D

Porcelain tiles



Alpine 4D
White

SP/100X180/R



Alpine 4D

Porcelain tiles

ALPINE White



ALPINE Grey



ALPINE Beige



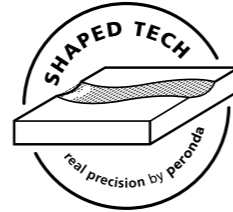
ALPINE Anthracite



Alpine 4D

Porcelain tiles

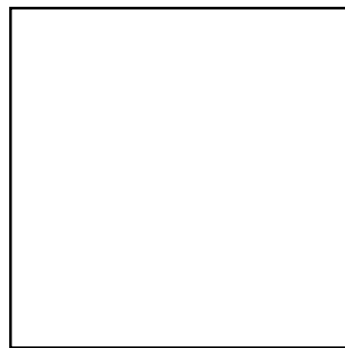




ALPINE



10 patterns

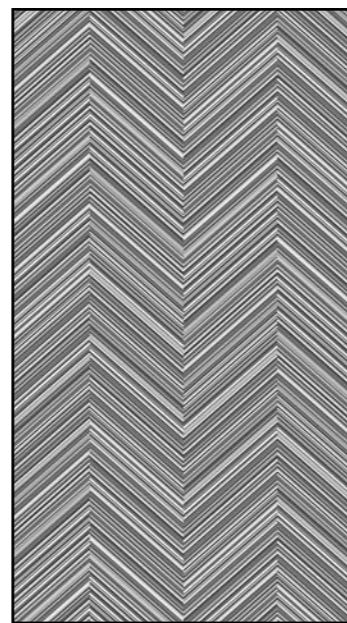


15 patterns

100 * 180 * 0,8 cm | 39 * 71"

RECTIFIED	SHAPED	
	BN137	BN138
ANTHRACITE	28519	
BEIGE	28520	
GREY	28522	
WHITE	28521	

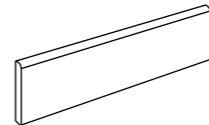
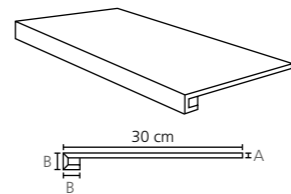
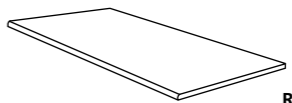
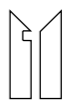

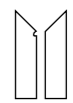
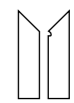
ALPINE DECOR



100 * 100 * 0,8 cm | 39 * 39"

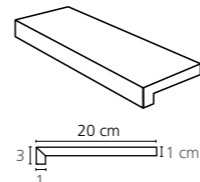
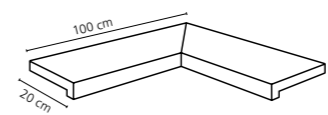
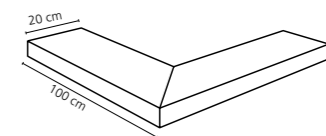
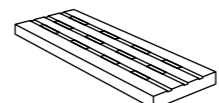
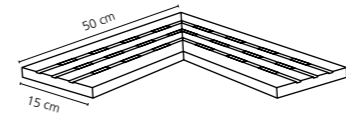
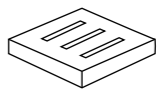
RECTIFIED	SHAPED	
	BN139	BN140
ANTHRACITE	29035	
BEIGE	29033	
GREY	29034	
WHITE	29036	

PIEZA COMPLEMENTARIA | COMPLEMENTARY PIECE

Rodapie - Skirting	Peldaño técnico - Technical stair - thread	Peldaño romo - Rounded stair - thread	*S.K.I.	*S.K.D.	*Z.R.I.	*Z.R.D.
						
8 * 100 cm / SP 3 * 39" P45	30 * 100 cm 12 * 39" P74 A= 0,8 cm B= 2,4 cm	30 * 100 cm 12 * 39" P85	8 * 30 cm 3*12" P53			

PIEZA ESPECIAL PISCINA | SPECIAL PIECE POOL

*Pedido mínimo 10 unidades | Minimum order 10 items

Peldaño Vierteagua Pool Coping	Peldaño vierteagua angulo Pool Coping internal corner	Peldaño vierteagua esquina Pool Coping external corner
		
20 * 100 cm 8 * 39" P82	100 * 100 cm 39 * 39" P80 (PACK 2 units)	100 * 100 cm 39 * 39" P80 (PACK 2 units)
Rejilla Drainage grate	Angulo rejilla Angle corner drainage grate	Taco rejilla Square corner drainage grate
		
15*50*1,6 cm 6 * 20" P87	50 * 50 * 1,6 cm 20 * 20" P74 (PACK 2 units)	15 * 15 * 2,2 cm 6 * 6" P66

EMBALAJE | PACKING

(Los pesos aquí reflejados pueden sufrir ligeras variaciones en función del lote de producción. Weights shown here may slightly vary depending on the production lot.)

Formato Sizes	Cajas Boxes			Pallet				Cont./20' 21500 kg.	Cont./20' 24000 kg.
	Piezas	m ² / sq.m	kg	Cajas	m ² / sq.m	kg	Tamaño cm aprox.	m ² / sq.m	m ² / sq.m
180 * 100 * 0,8	2	3,6	70,25	20	72	1455	181 * 112 * 64	1063,92	1187,63
100 * 100 * 0,8	2	2	37	32	64	1226	112 * 112 * 64	1122,35	1252,85
inch	units	ft ²	lb	Boxes	ft ²	lb	Sizes Inch approx.	ft ²	ft ²
70 7/8 * 39 3/8 * 5/16	2	38,75	154,87	20	775	3207,73	71 1/4 * 44 1/16 * 25 3/16	11451,94	12783,54
39 3/8 * 39 3/8 * 5/16	2	21,53	81,59	32	688,90	2703,33	44 1/16 * 44 1/16 * 25 3/16	12080,97	13485,73

CARACTERÍSTICAS TÉCNICAS | TECHNICAL CHARACTERISTICS

joint	frost proof	versatile	mat	full body	diferent shades	shade variation	various graphics	thickness
